



# IOP90 Quick Base Adaptor for INA952

This installation instruction explains how to handle IOP90. Before handling, be sure to read this Installation instruction, the Quick Base Installation instructions and the INA952 Installation instructions carefully to fully understand the contents. Keep this Installation instruction in a safe place. If you are to give this product to a third person, provide him/her with this instruction as well to ensure safe use.

The following symbols are used throughout this manual for your attention.

**Warning** Failure to follow this warning can result in serious accidents including death or serious injury.

**Precautions** Failure to follow precautions can result in injury, damage to the product, vehicle, or load.

**Note** Things that you should know are described in this section.



## Product contents



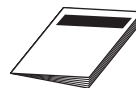
**x2**

Adaptor L



**x2**

Adaptor R

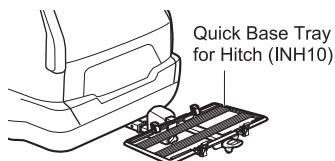


**x1**

Installation instructions

## Check before installation

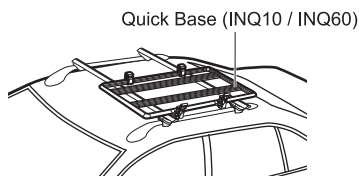
### Hitch member



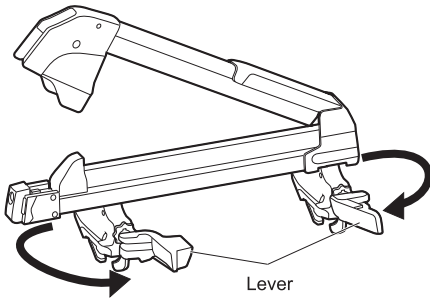
### Warning

Make sure the Quick Base (sold separately) is securely fix to the vehicle.

### Roof

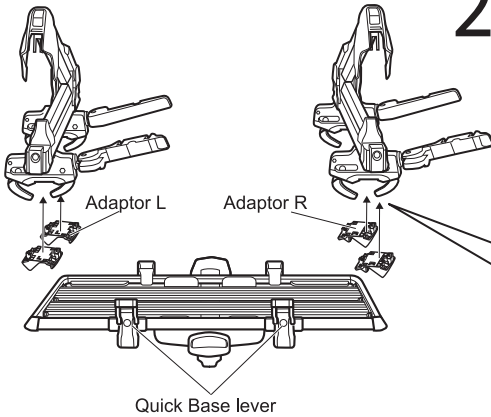


- 1** Lift the lever on the INA952 memory mount to open.



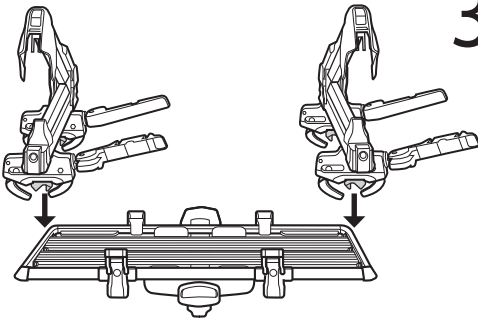
- 2** Pay attention to the orientation of INA952 and mount this product to the memory mount.

 Note

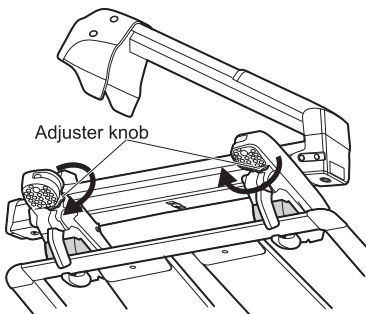


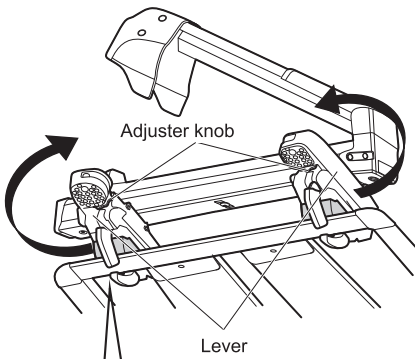
Viewed from the lever side of the quick base, attach adaptor R to the INA952 installed on the right side, and attach adaptor L to the INA952 installed on the left side.

- 3** Pay attention to the orientation of INA952 and temporarily place it on the Quick Base.

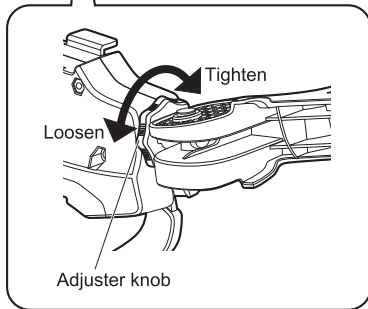


- 4** Close the lever, rotate the adjuster knob in the direction indicated with an arrow, and tighten firmly using your fingertips.



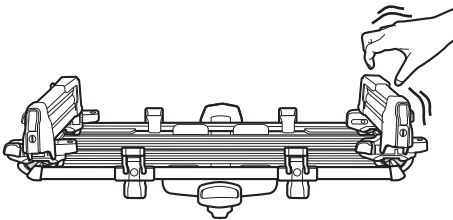


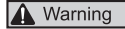
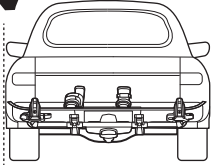
- 5** Open the lever, and rotate the adjuster knob about 6 turns and close the lever.  
 If the lever is loose, rotate the adjuster knob more.  
 If the lever is too tight, rotate the adjuster knob in the opposite direction.



- 6** Fix the remaining 3 places in the same procedure.

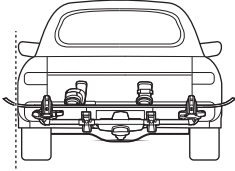
- 7** Check that the INA952 is securely fixed to the vehicle by shaking it all directions.





Warning

Do not load skies / snowboards that exceed the width of the car when the tray for hitch is mounted.



## Contact Information

We do not accept any liability for accidents, damage or injury caused by incorrect installation or use, modification, or natural disaster. Specifications and appearance of the carrier system and genuine replacement parts are subject to change without prior notice in the interest of product improvement.



**CAR MATE USA, Inc.**

383 Van Ness Ave., Suite 1603  
Torrance, CA 90501  
support@innoracks.com  
www.innoracks.com